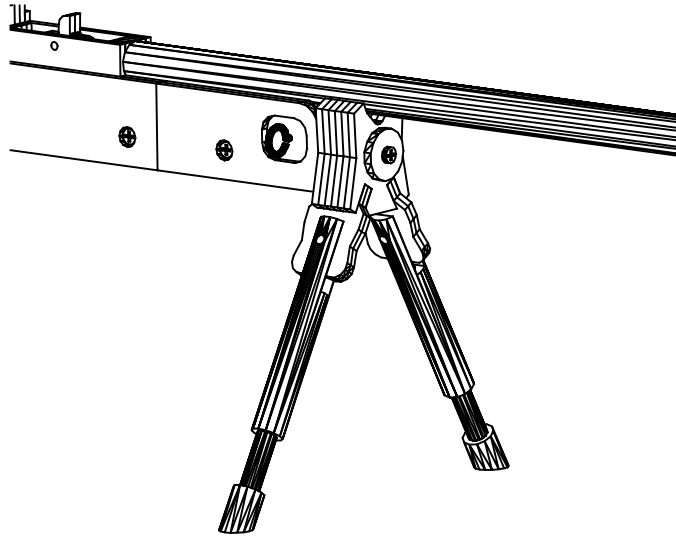


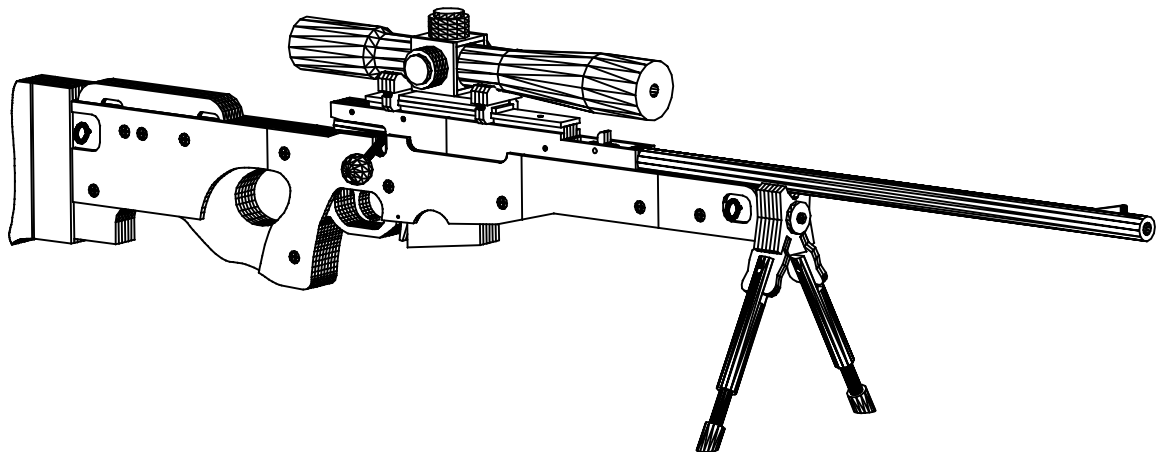
Bipod for L96A1 rubber band gun



IMPORTANT!

This is a construction manual for making an harmless rubber band gun. You will make and use it on your own risk. If you don't agree, don't make this rubber band gun.

Please pay attention to laws concerning realistic imitation firearms in your country.



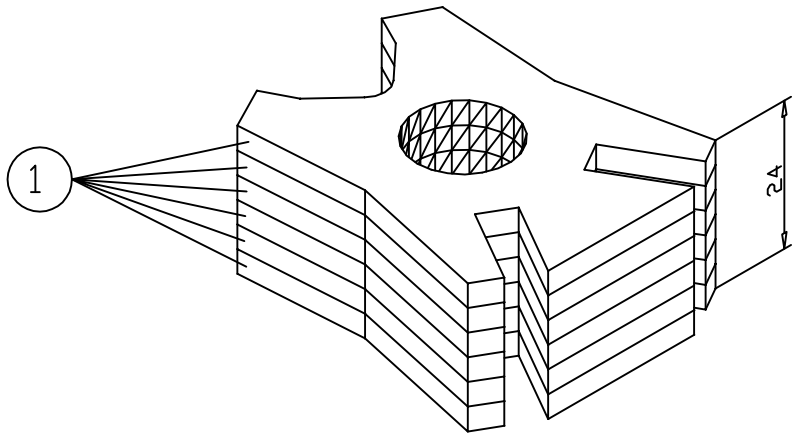
Materials:

- 3mm plywood ca. 120x120mm
- 4mm plywood ca. 200x150mm
- ø16mm hardwood dowel ca. 300mm
- ø10mm hardwood dowel ca. 180mm
- ø5mm hardwood dowel ca. 100mm
- 1x screw 4x16mm (pan head)
- 2x spring ø4mm

Tools:

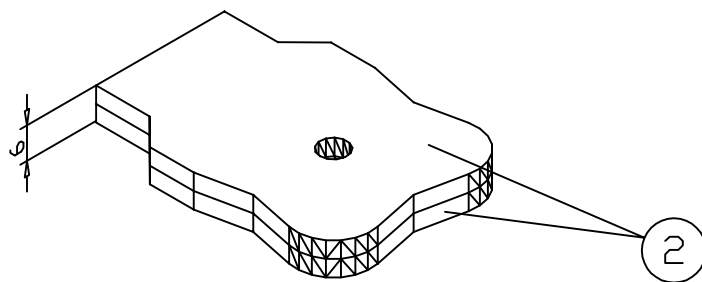
- scroll saw (fret saw)
- drill press (cordless drill)
- sandpaper
- wood glue
- screwdriver
- ø5, ø6, ø10mm brad point drill

1

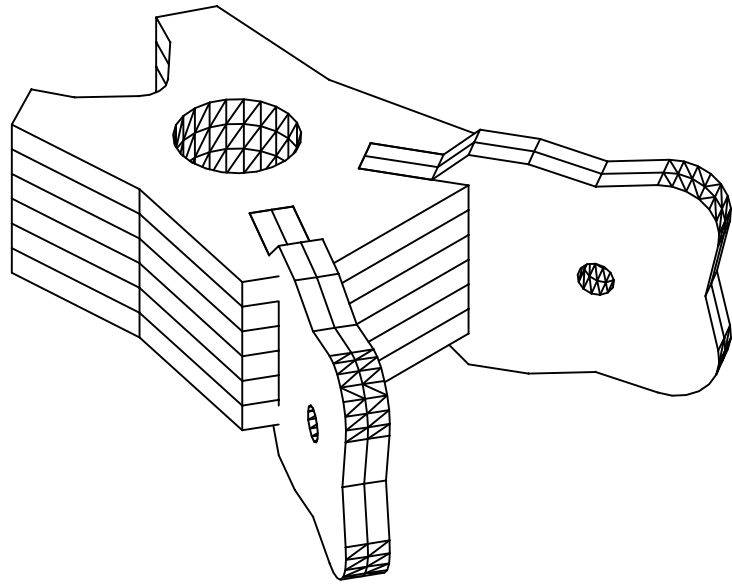


2

2x

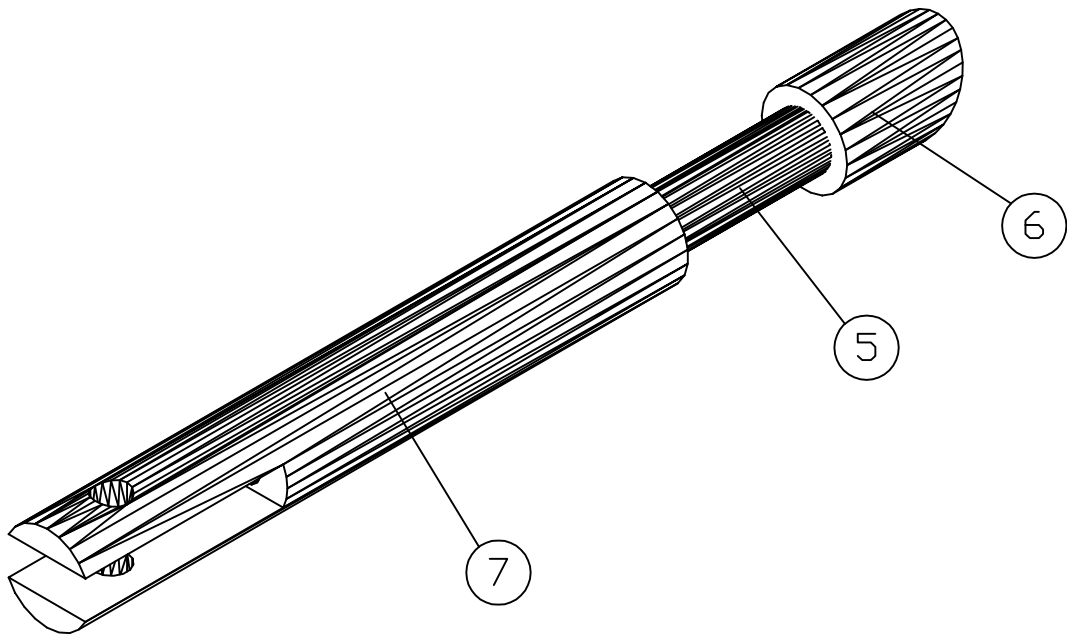


3



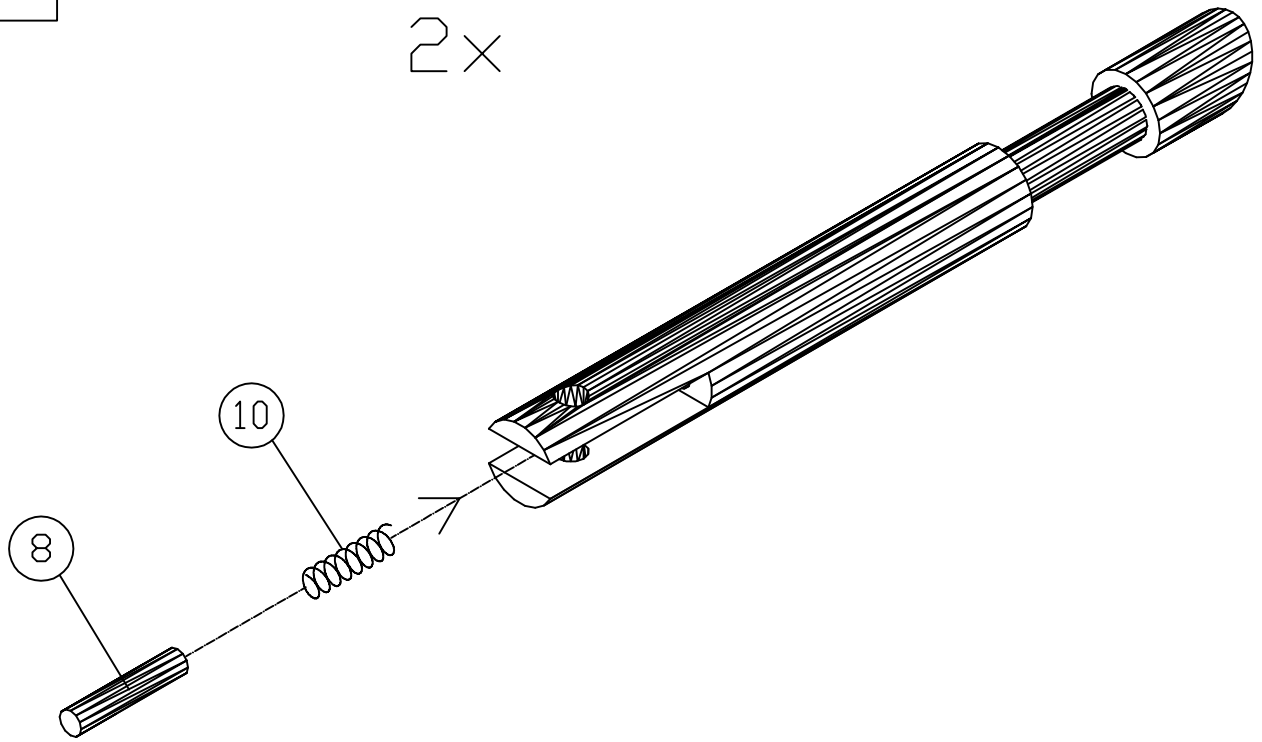
4

2x

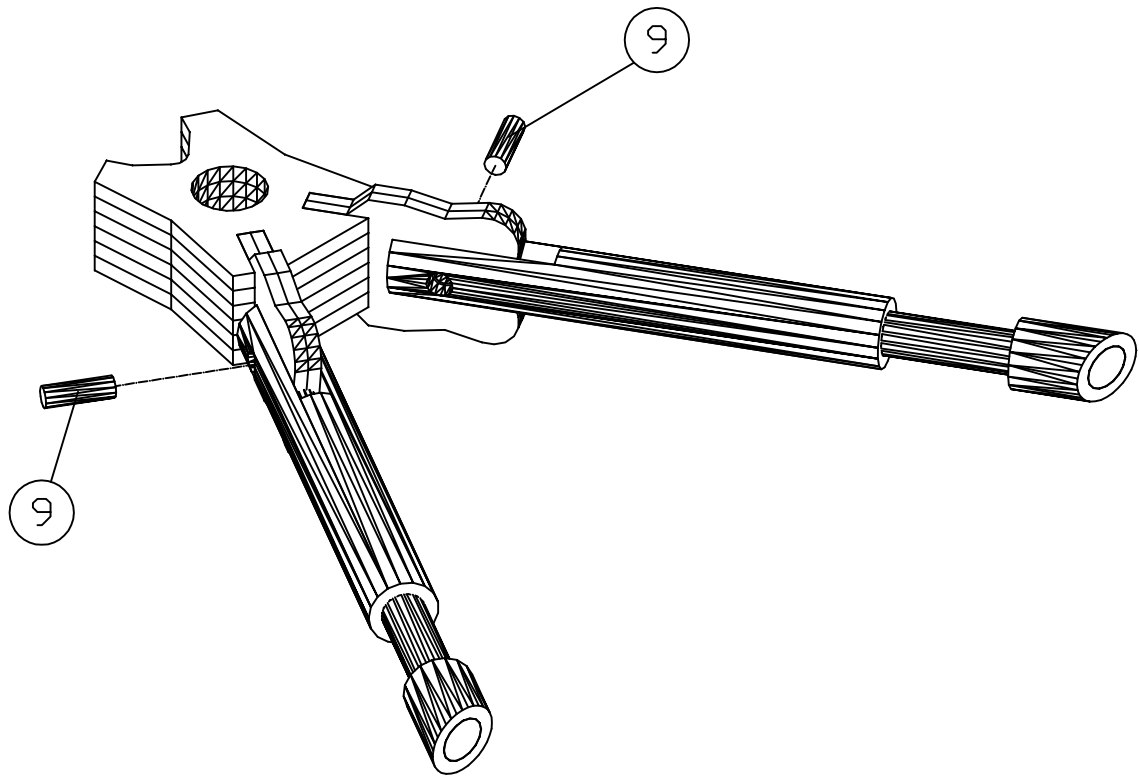


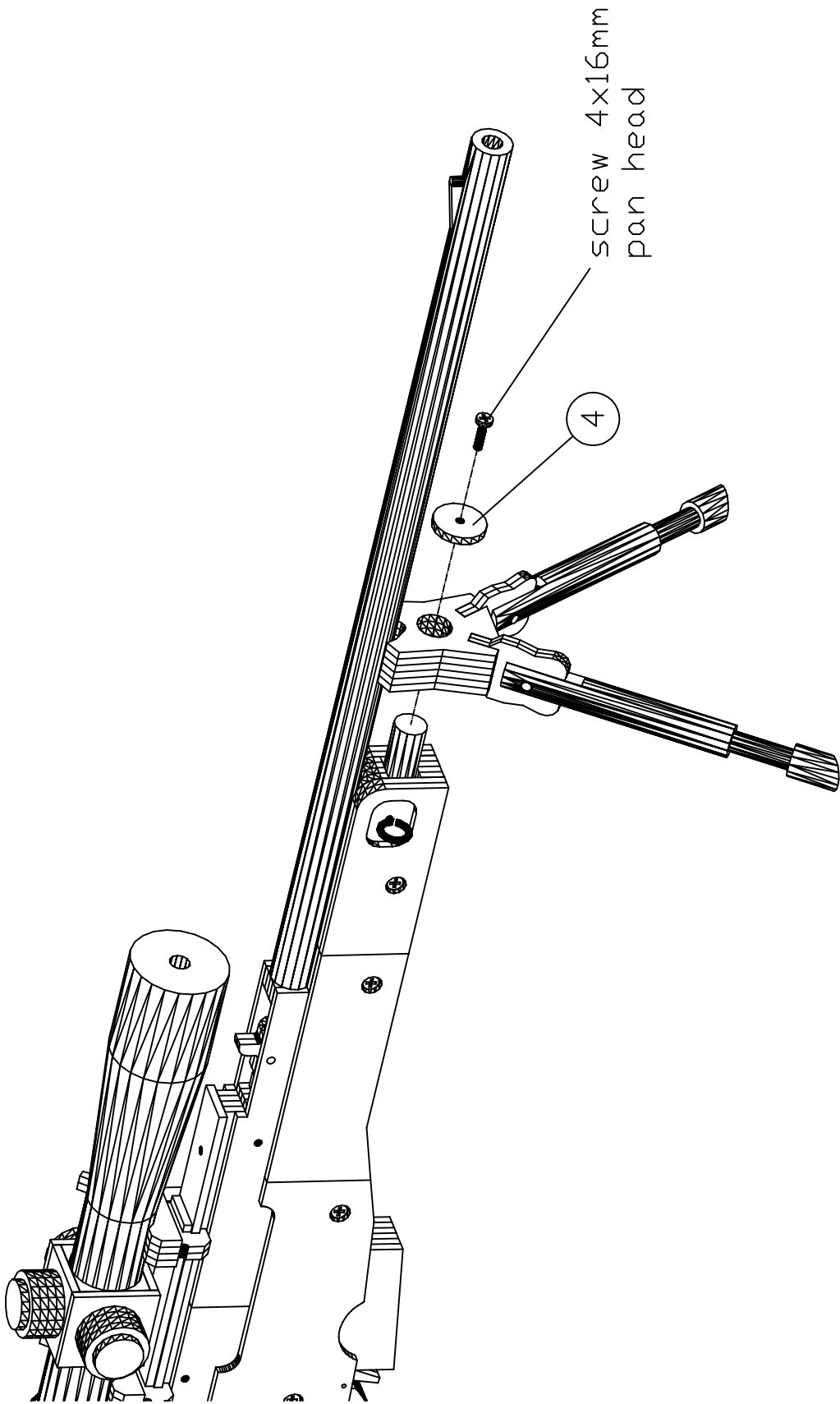
5

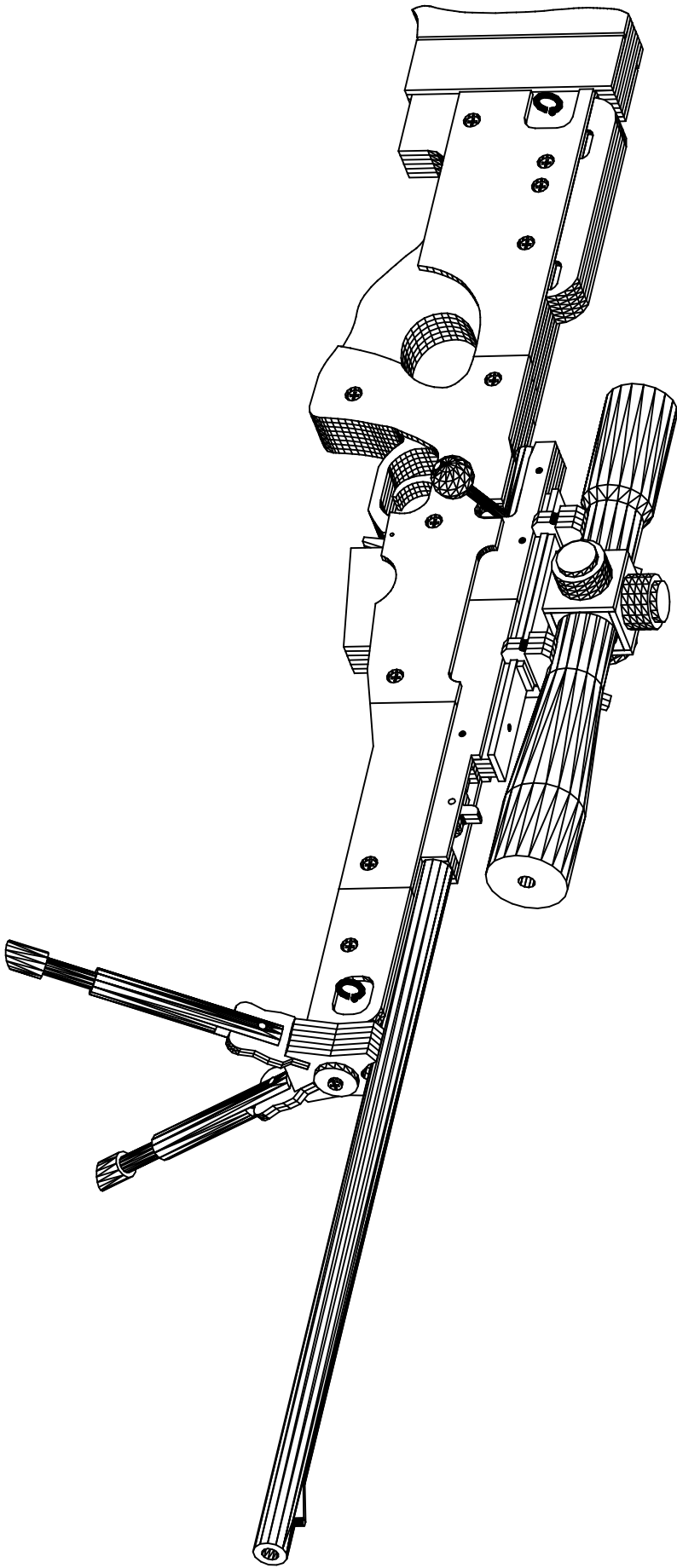
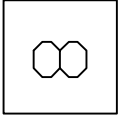
2x

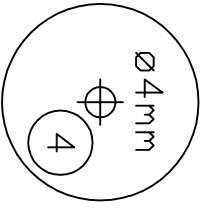
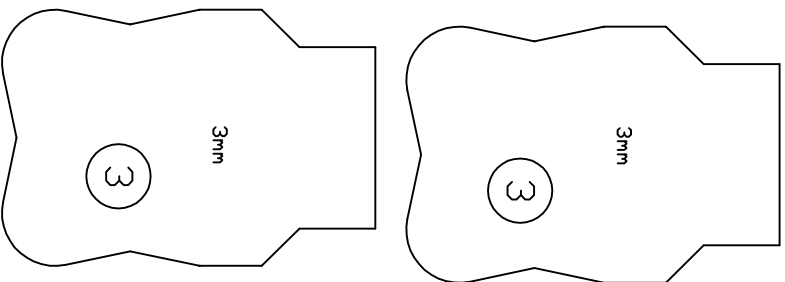
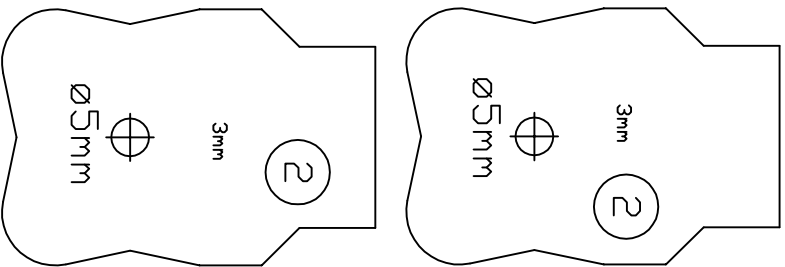
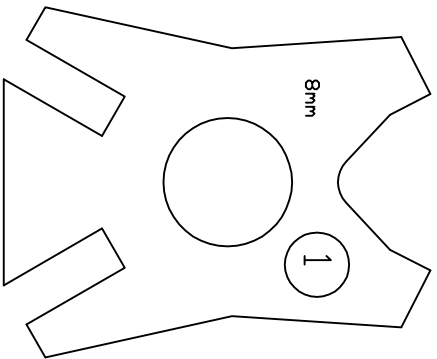
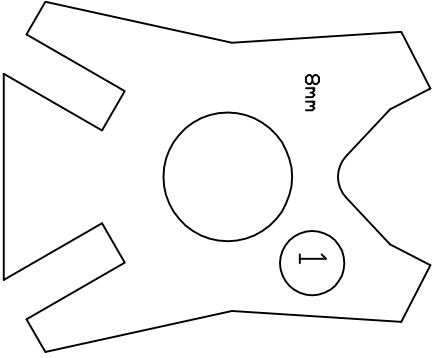
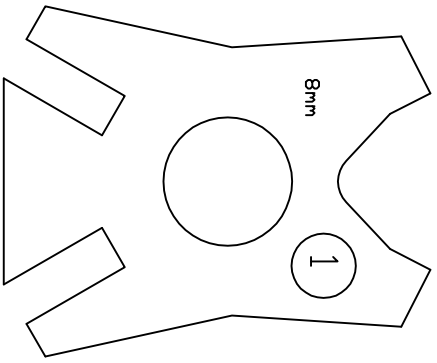


6

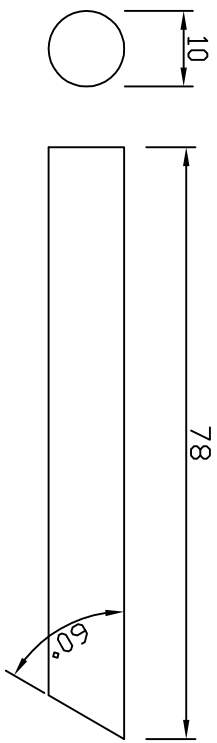




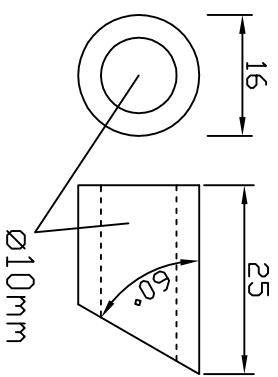




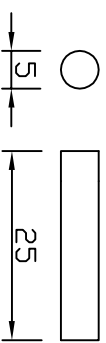
2x (5)



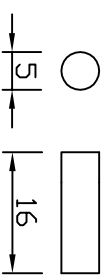
2x (6)



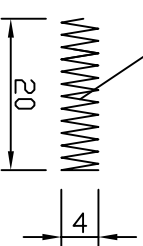
2x (8)



2x (9)



2x (10) Spring



2x (7)

